



T SERIES

Stainless Steel Single Element Filter Housings
Data Sheet

- Ideal for Commercial and Industrial Filter Application.
- Heavy duty 304 or 316 Stainless Steel Construction.
- Accepts 2 1/2" diameter Double Open-End (DOE), Single Open-End (SOE), 222 connector cartridges with Fin or Flat ends.
- Available with 3/4" and 1" in-line connections for easy installation.
- Ring nut closure for quick cartridge change outs.
- Equipped with mounting bracket kit and wrench.
- Numerous gasket options for compatibility with most fluids.
- 1/4" FNPT Drain Port.



HYDROSCIENTIFIC™ T SERIES STAINLESS STEEL HOUSINGS are designed for industrial and commercial filter applications. Their heavy-duty construction for maximum durability allows them to be used in a wide range of applications and process requirements.

HYDROSCIENTIFIC™ T SERIES STAINLESS STEEL HOUSINGS accept Double Open End (DOE) and Single Open End (SOE), 222 connector cartridges and are available with 3/4" and 1" in-line connections for easy installation. Constructed of 304 or 316 Stainless Steel, T Series housings are the ideal housings for higher pressure, higher temperature liquid applications where plastic housings are not an option.

T SERIES - 304 SS HOUSING SPECIFICATIONS				
Part Number	Description	Ports (In/Out)	Max. Flow Rate (gpm)	Max. Flow Rate (lpm)
T1-304-34	HydroScientific™ 10" Single Filter Cup Housing, DOE	3/4" FNPT	7	26.5
T1-304-10	HydroScientific™ 10" Single Filter Cup Housing, DOE	1" FNPT	7	26.5
T1-304-34-222	HydroScientific™ 10" Single Filter Cup Housing, 222, U-Cup	3/4" FNPT	7	26.5
T1-304-10-222	HydroScientific™ 10" Single Filter Cup Housing, 222, U-Cup	1" FNPT	7	26.5
T2-304-34	HydroScientific™ 20" Single Filter Cup Housing, DOE	3/4" FNPT	14	53
T2-304-10	HydroScientific™ 20" Single Filter Cup Housing, DOE	1" FNPT	14	53
T2-304-34-222	HydroScientific™ 20" Single Filter Cup Housing, 222, U-Cup	3/4" FNPT	14	53
T2-304-10-222	HydroScientific™ 20" Single Filter Cup Housing, 222, U-Cup	1" FNPT	14	53

T SERIES - 316 SS HOUSING SPECIFICATIONS

Part Number	Description	Ports (In/Out)	Max. Flow Rate (gpm)	Max. Flow Rate (lpm)
T1-316-34	HydroScientific™ 10" Single Filter Cup Housing, DOE	3/4" FNPT	7	26.5
T1-316-10	HydroScientific™ 10" Single Filter Cup Housing, DOE	1" FNPT	7	26.5
T1-316-34-222	HydroScientific™ 10" Single Filter Cup Housing, 222, U-Cup	3/4" FNPT	7	26.5
T1-316-10-222	HydroScientific™ 10" Single Filter Cup Housing, 222, U-Cup	1" FNPT	7	26.5
T2-316-34	HydroScientific™ 20" Single Filter Cup Housing, DOE	3/4" FNPT	14	53
T2-316-10	HydroScientific™ 20" Single Filter Cup Housing, DOE	1" FNPT	14	53
T2-316-34-222	HydroScientific™ 20" Single Filter Cup Housing, 222, U-Cup	3/4" FNPT	14	53
T2-316-10-222	HydroScientific™ 20" Single Filter Cup Housing, 222, U-Cup	1" FNPT	14	53

APPLICATIONS

- Water
- Chemicals
- Food & Beverage
- Coolants
- Pulp & Paper
- Electronics
- Oil
- Inks / Paints / Coatings

MATERIALS OF CONSTRUCTION

Body:	304 or 316 Stainless Steel
Head:	304 or 316 Stainless Steel
O-Ring:	Silicone (Standard)

OPERATIONAL DATA

Max. Working Pressure:	300 psi (20.68 bar)
Max. Operating Temperature:	250 °F (121 °C)- (Body Only)

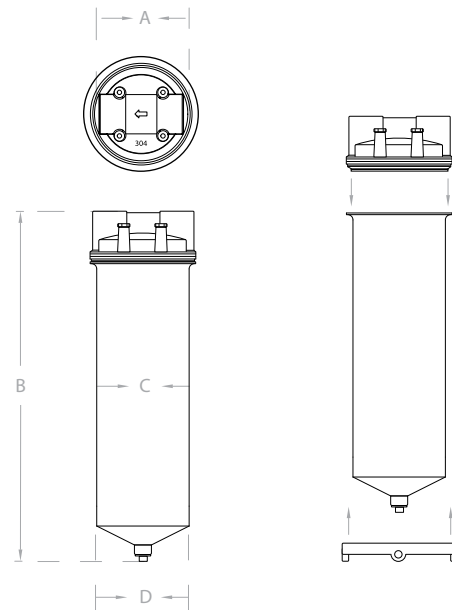
PORT DIMENSIONS

Drain:	1/4" FNPT
Inlet:	3/4" FNPT or 1" FNPT
Outlet:	3/4" FNPT or 1" FNPT

Copyright © 2021 HydroScientific., All Rights Reserved.



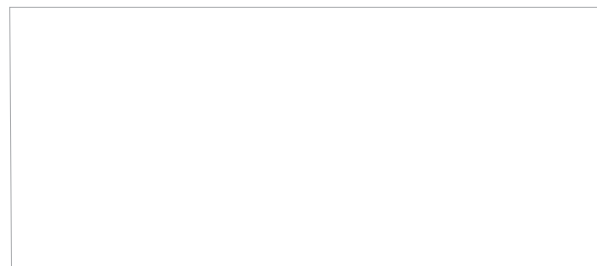
P.O. Box 2235 Chino Hills, CA 91709 | USA
sales@hydronixwater.com



T SERIES DIMENSIONS

MODEL	A Port to Port	B Length	C ID Diameter	D OD Diameter
10"	3.82"	15.55"	4.06"	4.17"
20"	3.82"	25.40"	4.06"	4.17"

DISTRIBUTED BY:



LIT-T-DS 09/12/22